

Fact sheet:

# Generic Ethernet Access over Fibre to the Cabinet

Generic Ethernet Access over Fibre to the Cabinet (GEA-FTTC) enables you to offer your SME and residential customers Superfast Broadband (SFBB) with up to 40Mbit/s download available now, and up to 80Mbit/s download in 2012.

GEA-FTTC helps you meet your customers' broadband needs for now and the future.

## Product benefits

### Broaden your portfolio

Add fibre based Super-fast Broadband and develop new high bandwidth services for your customers.

Couple the higher bandwidth options with flexible servicing options to provide a compelling SME offering.

### Product facts

- Over 6 million premises already able to get service
- FTTC is a fibre overlay to the existing copper network between the exchange and the street cabinet.

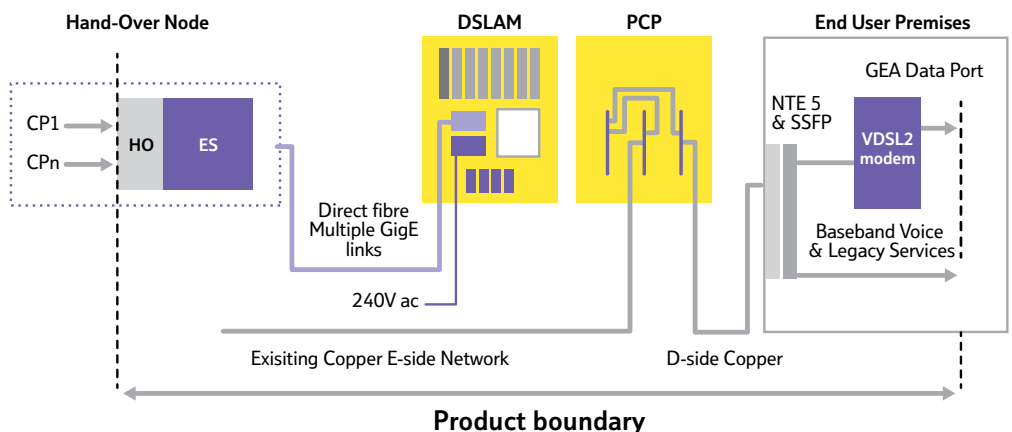
### Easy installation

Add Openreach's Managed Install service and provide hassle free installation of your router and your customer's equipment in a single appointment, with a working internet connection before we leave.

### Future proof

Maintain your competitive edge – no matter what your customers need in the future you'll be able to meet their needs with fibre-based services.

## How it works



Please note that to use GEA-FTTC CPs will also need to purchase GEA Cablelink at the relevant exchange.

# Product features

## Generic features

- Product variants:
  - up to 40Mbit/s downstream and up to 2 Mbit/s upstream
  - up to 40Mbit/s downstream and up to 10Mbit/s upstream
  - up to 80Mbit/s downstream and up to 20Mbit/s upstream available in 2012.
- Downstream prioritisation rate of up to 20Mbit/s (changing to up to 30Mbit/s in 2012) or the actual achieved line rate, whichever is the lower
- Manage congestion by prioritising upstream traffic on each line as 'can drop' or 'do not drop'
- Allows you to provide voice services over copper via MPF and fibre based broadband services or for you or another CP to provide Voice services over copper via WLR while you provide fibre based broadband services.

## GEA-FTTC facts

- FTTC/P will be available to 66 per cent of the UK in 2014
- Fibre overlay to the existing copper network between the exchange and the street cabinet.

## Available for

All Communication Providers

For more information on GEA-FTTC visit [www.openreach.co.uk](http://www.openreach.co.uk) or contact your Openreach Sales and Relationship Manager.

## Network security and reliability features

- Alarmed cabinets which signal any interruption in service or power to the Access Operations Centre (AOC) for an engineer to be sent out to fix the problem
- Continued fibre based service if the copper cable between the cabinet and the exchange fails or is damaged
- SmartWater used on Openreach fibres and cables to deter cable thieves.

## Dynamic Line Management (DLM) features

- Match the way a line is managed to the way your customer uses it:
  - Standard – best overall balance between speed and stability for general internet users
  - Stable – prioritise stability over speed for IPTV videoconferencing, home workers and businesses transferring data and IPTV
  - Speed – prioritise speed over stability for online gamers.

[www.openreach.co.uk](http://www.openreach.co.uk)

The telecommunications services described in this publication are subject to availability and may be modified from time to time. Services and equipment are provided subject to British Telecommunications plc's respective standard conditions of contract. Nothing in this publication forms any part of any contract. BT, Openreach, and the BT logo and the Openreach identity are trademarks of British Telecommunications plc.

© British Telecommunications plc 2011.  
Registered office: 81 Newgate Street, London EC1A 7AJ  
Registered in England No: 1800000  
Produced by Openreach  
Designed by Westhill.co.uk

PHME 63350

