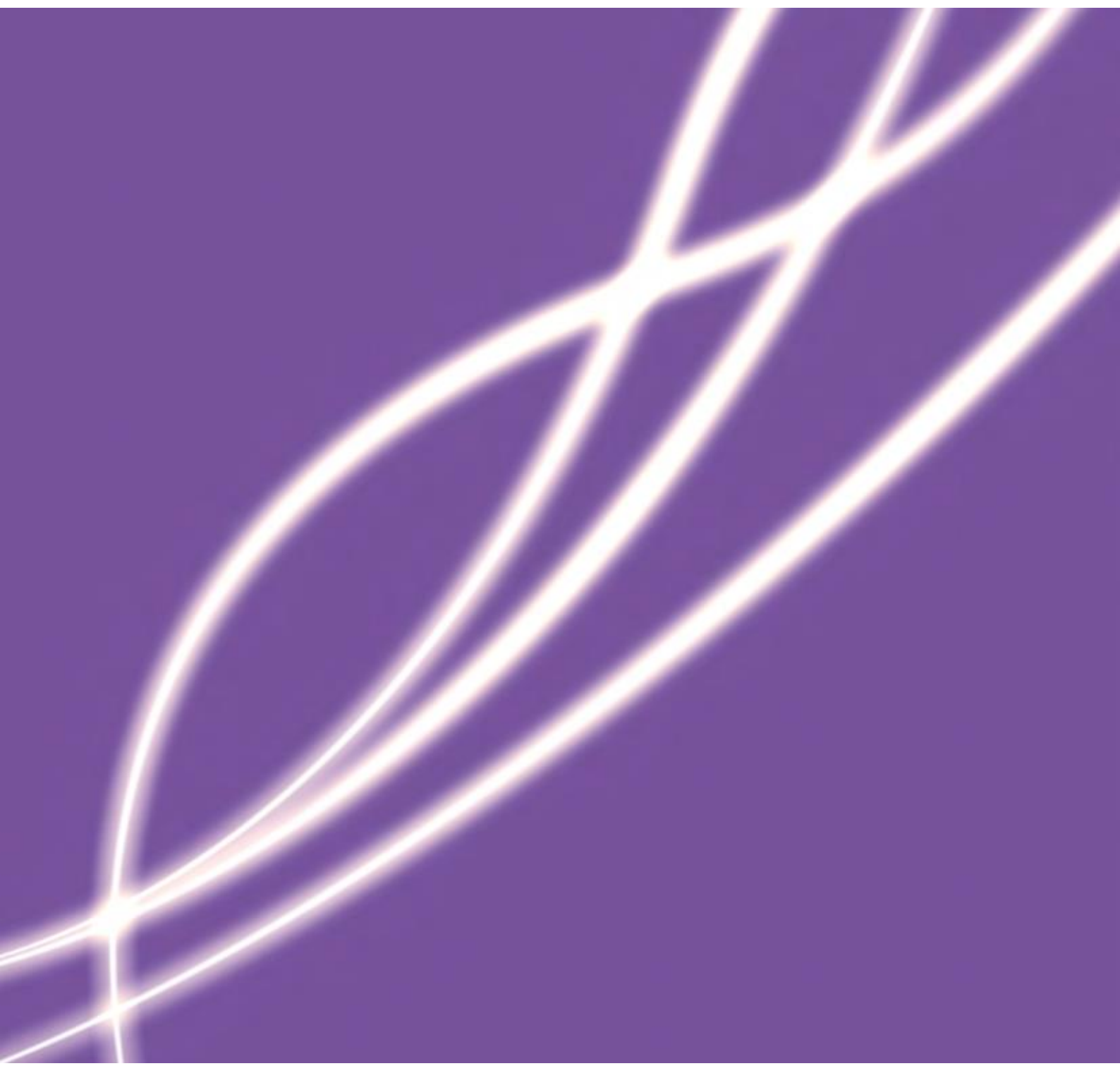


BDUK Phase 3 Cabinets

Technical Specification



Contents

1 Provision of cabinet space..... 3
2 Document history..... 4

1 Provision of cabinet space

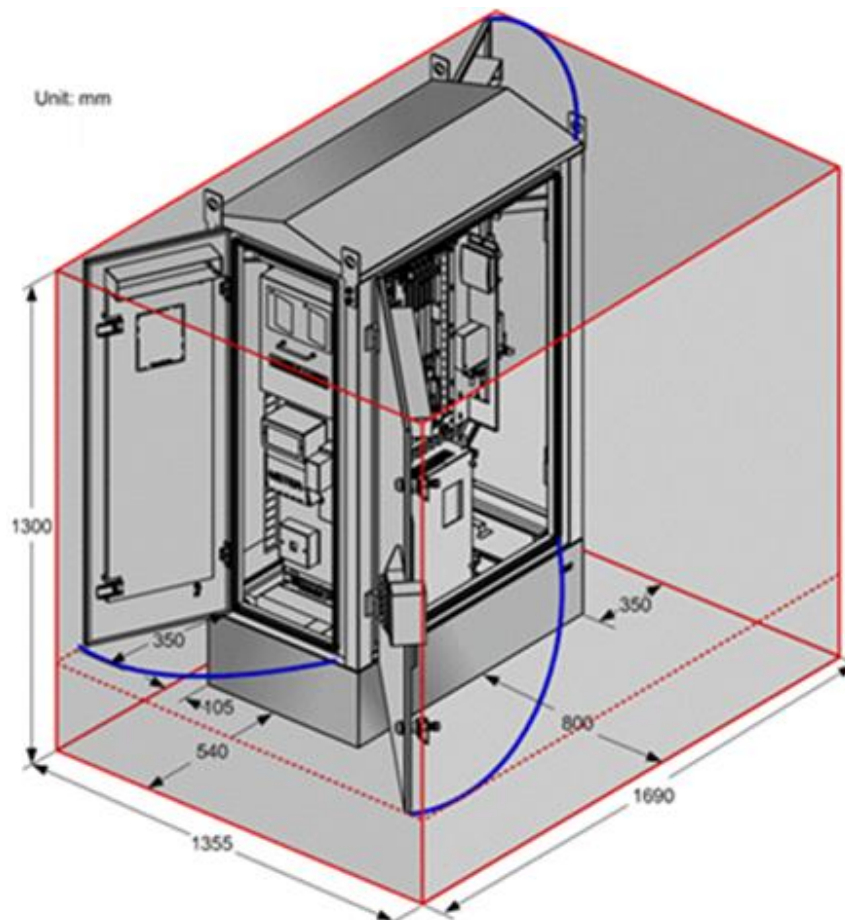
Openreach will provide equivalent space in a cabinet of the same type that we use for our own Next Generation Access (NGA) deployment.

Openreach will also provide the power connectivity.

The typical specifications are as follows:

Dimensions L x W x H (mm)	800 x 450 x 1300 (including 200mm root)
Weight (Kg)	160Kg
Operating Temperature	-45°C to +45°C +Solar Radiation 1120W/m ²
Rated AC or DC Input voltage	AC 90 – 240v
Inner space for mounting electronics	5U
Power Consumption (DC)	450W Max.
Cooling type	Direct air cooled
Ingress Protection class	IP55
Outdoor Cabinet life	>20 years (Stainless steel coated of outdoor powder)
Cabinet colour	Green No 223 of BS 381
Cabinet material	Stainless steel
Security lock	MUL-T-LOCK 2B

The Figure below shows the footprint required for a typical example cabinet (with door openings):



2 Document history

Status	Date	Details of Change
Final 1.0	September 2018	Final Publication

DOCUMENT END