

## Suppliers' Information Note

*For The Openreach Network*

# Fibre to the Premises (FTTP) Generic Ethernet Access

## Service and Interface Description

Each SIN is the copyright of British Telecommunications plc. Reproduction of the SIN is permitted only in its entirety, to disseminate information on the BT Network within your organisation. You must not edit or amend any SIN or reproduce extracts. You must not remove BT trademarks, notices, headings or copyright markings.

This document does not form a part of any contract with BT customers or suppliers.

Users of this document should not rely solely on the information in this document but should carry out their own tests to satisfy themselves that terminal equipment will work with the BT network.

BT reserves the right to amend or replace any or all of the information in this document.

BT shall have no liability in contract, tort or otherwise for any loss or damage, howsoever arising from use of, or reliance upon, the information in this document by any person.

Due to technological limitations a very small percentage of customer interfaces may not comply with some of the individual characteristics which may be defined in this document.

Publication of this Suppliers' Information Note does not give or imply any licence to any intellectual property rights belonging to British Telecommunications plc or others. It is your sole responsibility to obtain any licences, permissions or consents which may be necessary if you choose to act on the information supplied in the SIN.

Those BT services marked ® indicates it is a registered trade mark of British Telecommunications plc.

Those BT services marked ™ indicates it is a trade mark of British Telecommunications plc.

This SIN is available in Portable Document Format (pdf) from:  
<https://www.openreach.co.uk/orpg/home/helpandsupport/sins/sins.do>

Enquiries relating to this document should be directed to: [m\\_orsinsfa@openreach.co.uk](mailto:m_orsinsfa@openreach.co.uk)

<b>1.</b>	<b>SERVICE OUTLINE</b> .....	<b>3</b>
1.1	GENERAL .....	3
1.2	SERVICE AVAILABILITY .....	3
1.3	GEA CABLELINK .....	5
<b>2.</b>	<b>INTERFACE DESCRIPTIONS</b> .....	<b>6</b>
2.1	GEA CABLELINK .....	6
2.1.1	<i>Physical connection</i> .....	6
2.1.2	<i>Ethernet frame size</i> .....	6
2.1.3	<i>VLAN Tagging Options at the GEA Cablelink for GEA-FTTP and FVA</i> .....	6
2.1.4	<i>Ethertype</i> .....	7
2.1.5	<i>Downstream Priority Marking</i> .....	8
2.1.6	<i>Downstream policing</i> .....	9
2.1.7	<i>Downstream shaping</i> .....	10
2.1.8	<i>Intermediate Agent/DHCP Relay Agent</i> .....	10
2.1.9	<i>Ethernet OAM</i> .....	11
2.1.10	<i>Transparency</i> .....	12
2.1.11	<i>Frame duplication</i> .....	13
2.1.12	<i>Multicast IP Group Addresses</i> .....	13
2.2	FVA SPECIFICS .....	13
2.2.1	<i>Digit Maps</i> .....	13
2.2.2	<i>Variable parameters</i> .....	13
2.2.3	<i>Analogue Telephone Adaptor (ATA)</i> .....	14
2.2.4	<i>Synchronisation</i> .....	14
2.3	ONT TECHNICAL SPECIFICATION.....	15
2.3.1	<i>1+0 ONT</i> .....	15
2.3.2	<i>1+1 ONT</i> .....	16
2.3.3	<i>4+2 ONT</i> .....	18
2.3.4	<i>ONT Size</i> .....	20
2.3.5	<i>Power Supply</i> .....	20
2.3.6	<i>Battery Backup Unit</i> .....	20
2.3.7	<i>Electrical Safety</i> .....	20
2.3.8	<i>ONT Housing</i> .....	20
2.3.9	<i>Upstream priority marking</i> .....	20
2.3.10	<i>Upstream shaping</i> .....	21
<b>3.</b>	<b>REFERENCES</b> .....	<b>22</b>
<b>4.</b>	<b>ABBREVIATIONS</b> .....	<b>22</b>
<b>5.</b>	<b>HISTORY</b> .....	<b>23</b>

## 1. Service Outline

### 1.1 General

Openreach will provide the Generic Ethernet Access/Fibre to the Premises (GEA-FTTP) and Fibre Voice Access (FVA) products, part of Openreach's Next Generation Access (NGA) portfolio, over a shared passive fibre optic infrastructure.

This Suppliers' Information Note (SIN) provides details relevant to CPs regarding connectivity and interfaces.

It should be noted that the information contained within this SIN might be subject to change due to either the results of developments, or due to feedback from customers. Please check with the <https://www.openreach.co.uk/org/home/helpandsupport/sins/sins.do> site to ensure you have the latest version of this document.

Further information regarding the product trial and pilot product launch can be obtained by contacting your Openreach Commercial Business Manager.

### 1.2 Service Availability

GEA-FTTP will provide an 'always on' Virtual LAN (VLAN) between the Optical Line Termination (OLT) equipment in a BT exchange and each Optical Network Termination (ONT) device in the End User premises. This 'VLAN' will be able to carry data communication signals after the CP has successfully ordered service for delivery to its End User(s).

GEA-FTTP Brownfield will consist of:

- Physical network connectivity between the end user premises and the Openreach point of handover to CP networks (GEA 'lit fibre' circuit)
- A 'Data Port' Ethernet VLAN offering the following bandwidths in Mbit/s:

Product	Downstream Peak	Downstream Prioritised	Upstream Peak	Upstream Prioritised
GEA-FTTP 40/2	40	15	NA	2
GEA-FTTP 40/10	40	15	NA	10
GEA-FTTP 40/15	40	15	NA	15
GEA-FTTP 55/10	55	20	NA	10
GEA-FTTP 80/20	80	30	NA	20
GEA-FTTP 100/15	100	20	NA	15
GEA-FTTP 110/15	110	20	NA	15
GEA-FTTP 100/30	100	30	NA	30
GEA-FTTP 160/30	160	110	NA	30
GEA-FTTP 220/20	220	30	NA	20
GEA-FTTP 330/20	330	40	NA	20
GEA-FTTP 330/30	330	40	NA	30
GEA-FTTP 330/50	330	110	NA	50

GEA-FTTP 500/165	500	220	165	110
GEA-FTTP 1000/220*	1000	330	220	110

*\* The 1000M product provides a max Ethernet frame throughput of 987Mbps (excluding IFG and pre-amble). This is limited by the 1000BaseT interface and Ethernet framing overheads*

FVA will provide a VLAN between the OLT equipment in a Openreach Point of Handover in a BT exchange and each ONT device in the user premises. This 'VLAN' will be able to carry voice data communication signals after the CP has successfully ordered service for delivery to its user(s). The VLAN will be terminated at the Analogue Telephone Adaptor (ATA) within the ONT.

This product provides an ATA/SIP User Agent within the ONT itself, enabling an end user to simply plug their analogue phone or existing wiring into the voice port on the ONT.

One VLAN can support a maximum of two FVA lines per ONT.

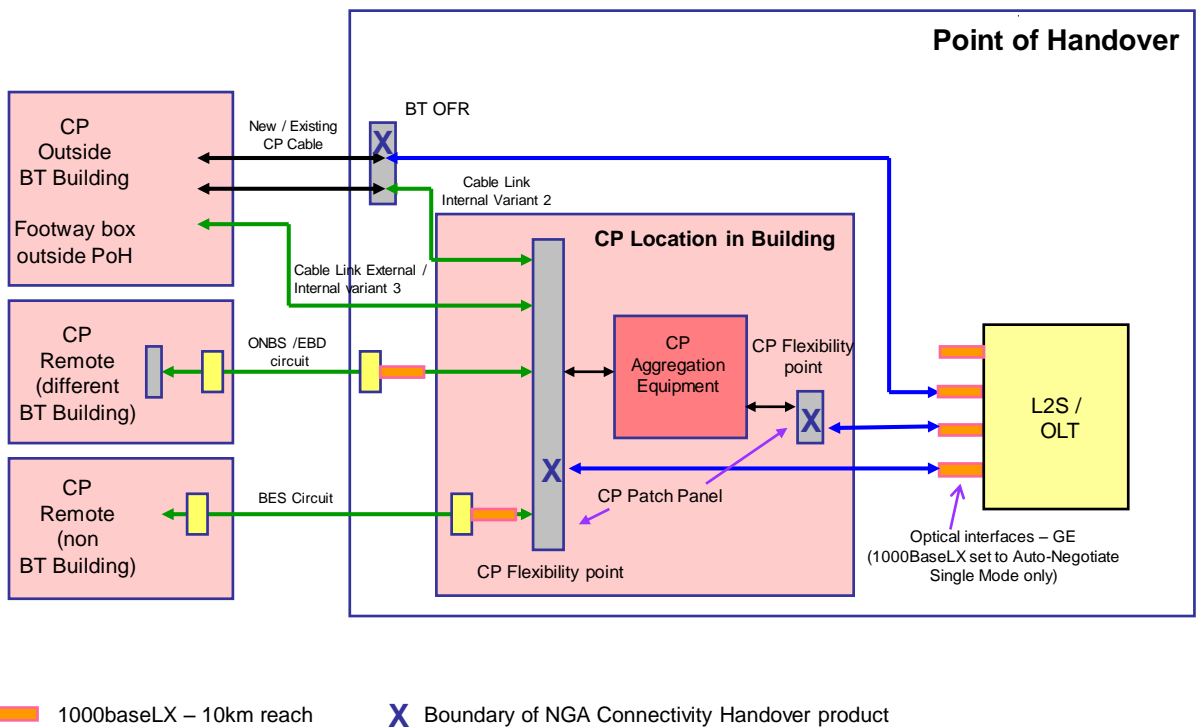
### 1.3 GEA Cablelink

The GEA Cablelink Product will be offered for the CP to order connectivity to the L2S in the same Point of Handover building.

This will comprise

- A 1Gbit/s Ethernet port into the L2S. The Gigabit Ethernet (GE) interface will be set to auto-negotiate, 1000Base-LX (Single Mode only); or
- A 10 Gbit/s Ethernet port into the L2S. The 10 Gigabit Ethernet interface will be set to 10000Base-LR (Single Mode only); and
- Fibre connection from the port on the L2S to the location within the same Point of Handover specified by the CP

CPs will need to specify as part of the ordering process the location of their equipment/presence to which the connection should be made.



**Figure 1 - GEA Network and Connectivity Link**

## **2. Interface Descriptions**

### **2.1 GEA Cablelink**

#### **2.1.1 Physical connection**

The identified interface option and location for the GEA Cablelink will need to be specified by the CP, either:

- CP owned and provided Interface Panel, or
- CP owned and provided equipment interface (Ethernet port).

The interface is the connector on the end of the Openreach fibre tail.

The following physical optical interface connector types only are supported for connection to the CP provided identified interface:

- FC/PC
- LC
- SC

Note - Angled connectors are NOT supported.

The physical interface must be specified on the order request. Any conversion of interfaces is the CP's responsibility, i.e. the CP must provide interface converters on its card or at the interface panel, if necessary. Openreach engineers must be provided with access to the identified interface point (whether that is an interface panel or the CP's actual interface card itself) for both fulfilment and assurance purposes.

GE and 10GE Single-Mode interfaces are described in SIN 360 <sup>[1]</sup>.

More information about the GEA Cablelink product can be found in the GEA Cablelink Product Description on the Openreach Portal (see <http://www.openreach.co.uk>).

#### **2.1.2 Ethernet frame size**

The maximum supported Ethernet frame size is 1530 bytes (excluding IFG and preamble)

#### **2.1.3 VLAN Tagging Options at the GEA Cablelink for GEA-FTTP and FVA**

##### **2.1.3.1 Openreach added tags**

On the GEA Cablelink, all traffic will be presented using single or double tagged on a per connection basis. Both options can be used on the same GEA Cablelink on a per GEA order basis. The tagging option to use for a specific GEA order is explicitly selected by the CP when ordering.

The VLAN used for End User traffic is referred to as a Customer VLAN or "C-VLAN".

A CP may optionally choose to use an additional level of VLAN tagging so that C-VLANs can be grouped within another VLAN, referred to as a Service VLAN or “S-VLAN”.

- Single Tagged Handover
  - The Outer VLAN is the C-VLAN.
  - The Outer VLAN will carry the EU traffic and will have a tag in the range 2 to 3000 or 3071 to 4094\*. Openreach will allocate the lowest available unused tag.
- Double Tagged Handover
  - The Outer VLAN is the S-VLAN, and the Inner VLAN is the C-VLAN.
  - Outer VLAN tag(s) must be requested via a Modify order against a GEA Cablelink (GEA Cablelink provision must be complete) before they can be used in a GEA order.
    - The Outer VLAN will have a tag in the range 2 to 3000 or 3071 to 4094.
      - The CP can specify the tag to be added; or
      - Openreach will allocate the lowest available unused tag if the CP does not specify the tag.
  - Where double tagging is required the CP must include the Outer VLAN tag value in the GEA order.
  - The Inner VLAN will carry the EU traffic and will have a tag in the range 2 to 4094. Openreach will allocate the lowest available unused tag.

#### 2.1.3.2 CP added tags

For GEA-FTTP, CPs can optionally add tags in the downstream direction and these will be transported transparently through to the EU CPE. These are denoted as ‘X-VLANs’

For FVA, CPs cannot add tags in the downstream direction.

For GEA-FTTP, EU CPE can add tags in the upstream direction and these will be transported transparently through to the CP, with the exception of tag 0 which will be removed by Openreach (see section 2.3.9 - Upstream priority marking - for more details).

For FVA tags cannot be added in the upstream direction.

#### 2.1.4 Ethertype

---

\* Please note, Values between 3001 and 3070 are reserved for GEA Multicast.

The Outermost VLAN Ethertype is configurable to 0x81-00 (default) or 0x88-A8 (as per IEEE802.1ad<sup>[4]</sup>). This applies to the GEA Cablelink as a whole and is irrespective of single or double tagging of the GEA services carried.

## **2.1.5 Downstream Priority Marking**

### **2.1.5.1 GEA-FTTP Downstream Priority Marking**

CPs can use the C-VLAN Priority Code Point (PCP) field<sup>[5]</sup> on downstream GEA-FTTP traffic on the Customer VLAN. For consistency with the GEA-FTTC product it is recommended that PCP values 0, 1, 2, 3 and 4 are used by CPs to differential downstream traffic classes. PCP values 5, 6 and 7 are supported only on GEA-FTTP.

In the event of congestion within the Openreach network, the markings will be used to identify which frames can be dropped first for a particular End User. PCP traffic marking is optional.

In order to allow Openreach to ensure that under congestion conditions traffic is discarded according to the CPs marking, with “can drop” traffic being dropped ahead of “should not drop” traffic, the following scheme will be used.

#### **2.1.5.1.1 Per EU / Intra EU frame drop prioritisation**

The C-VLAN PCP markings are used to identify the order in which traffic can be dropped.

- PCP = ‘1 to 7’ = “Should Not Drop” (no drop priority differentiation between these four markings except on egress from the GPON port, and on the ONT LAN port)
- PCP = ‘0’ = “Can Drop”

Where Double Tagging is used, the markings must be applied to the Inner C-VLAN.

The PCP field allows the CP to influence which frames are dropped first under congestion, thus allowing loss sensitive applications to have greater protection and at the same time allow best-efforts applications to benefit from full network capacity when it is available, but at the risk of frame loss. Openreach will remark the PCP field to ensure each EU has fair access to the available network capacity as follows:

- When an end-user’s “Should not drop” marked traffic is supplied below the prioritised rate, then some of that end-users “Can drop” frames will be arbitrarily promoted to “Should not drop” so that, if possible, the “Should not drop” traffic rate equals the prioritised rate.
- Where an end-user’s traffic is marked “Should not drop” and exceeds the prioritised rate, then some of that end-user’s frames will be arbitrarily demoted to “Can drop” so that the rate of “Should not drop” traffic equals the prioritised rate.



Therefore, for optimal performance the CP should ensure loss-sensitive traffic is marked “Should not drop” and kept within the prioritised rate of the end-user’s service.

### 2.1.5.2 FVA Downstream Priority Marking

FVA services have been allocated 802.1p value 7 (highest). This, in combination with mapping FVA Service Flows to the highest priority queues throughout the FTTP network, ensures that FVA traffic is scheduled above network management and GEA Data traffic. FVA traffic is allocated the same priority upstream and downstream.

### 2.1.6 Downstream policing

Each individual GEA-FTTP connection is policed by Openreach on ingress to the GEA Cablelink to the product rate. The details of the policing rates and associated burst sizes are detailed in table 1 below

Product			Policing parameters			
Peak rate (Mbps)	Prioritised rate (Mbps)	Sub-Product	CIR (kbps)	CBS (B)	PIR (kbps)	PBS (B)
0.256	0.256	FVA	256	7000	256	7000
0.512	0.512	FVA	512	14000	512	14000
40	15	GEA-FTTP	15040	16000	40000	71000
55	20	GEA-FTTP	20032	16000	55040	83000
80	30	GEA-FTTP	30016	20000	80000	100000
100	20	GEA-FTTP	20032	16000	100032	112000
100	30	GEA-FTTP	30016	20000	100032	112000
110	20	GEA-FTTP	20032	16000	110016	118000
160	110	GEA-FTTP	110016	37000	160000	142000
220	30	GEA-FTTP	30016	20000	220864	166000
330	40	GEA-FTTP	40000	22000	330048	204000
330	110	GEA-FTTP	110016	37000	330048	204000
500	220	GEA-FTTP	220032	52000	500032	251000
1000	330	GEA-FTTP	330048	64000	1000000	354000

**Table 1 : GEA-FTTP policing parameters**

The policing behaviour is described below:

- If the CP sends a range of 802.1p marked traffic (0,1,2,3,4,5,6,7) for the GEA data service downstream to the GEA Cablelink, the following will be observed for bursts:
  - 802.1p = 0 marked traffic will have access to half of PBS & CBS
  - 802.1p = 1 to 7 marked traffic will have access to the full PBS & CBS
- If more than PIR is sent, then random drop across 802.1p = 0 and demoted 802.1p = 1 to 7 (i.e. the CP sent traffic marked as discard ineligible above the CIR rate) will be seen
- The policers act on the full packet, apart from the IFG & pre-amble i.e. VLAN tags, SA/DA, FCS

## 2.1.7 Downstream shaping

The CP is expected to shape the downstream traffic to match the product downstream rate (see section 1.2) in order to avoid excessive traffic loss.

## 2.1.8 Intermediate Agent/DHCP Relay Agent

Where PPPoE is detected, additional tags will be inserted into the upstream flow (PADI) by the Intermediate Agent (IA) in the OLT. Any existing tags of the same type from the CPE will be overwritten. The IA tags will be removed by the OLT in the downstream direction (i.e. from the PADO, PADS messages).

Where DHCPv4 is detected, the OLT will insert Option 82 Agent information field into the upstream flow (DHCP Discover). The Option 82 field will be removed by the OLT in the downstream response (DHCP Offer).

Where DHCPv6 is detected, the OLT will employ a Lightweight DHCPv6 Relay Agent (LDRA) at certain locations to insert Options 17, 18 and 37 into the upstream flow (e.g. DHCP Solicit):

- Option 17 ‘Vendor-specific Information’: Includes sub-options for reporting line characteristics such as line rate
- Option 18 ‘Interface-ID option’: Used to identify the interface
- Option 37 ‘Remote-ID option’: Used to identify the client

The Option fields will be removed by the OLT in the downstream response (e.g. DHCP Offer).

The following information will be supplied.

Note - any information in these fields from the end user will be over-written.

- **Agent Remote ID** – 63 character field – value is either
  - Value supplied by CP during provide / modify
    - From character set – a~z A~Z 0~9 @ . \_ - ( ) / + : (Note space character is NOT supported)
    - Invalid characters in the order will cause order rejection

or

- DeviceName/S VLAN ID/Frame No\_Slot No\_Port No/uservlan/C VLAN ID if the CP does not set a value to be used
  - Changes if the port is changed for any reason – cannot be guaranteed to be constant
  - Any value supplied from any modem will be over-written
- **Agent Circuit ID**
  - access-Node-Identifier xpon frame/slot/port :ontid.gemport.c-vlan-id
    - The “frame/slot/port” value will change if port used is changed eg after port / card failure

### 2.1.8.1 DHCPv4/v6 Port Numbers

The expected UDP port numbers in the DHCP messages are detailed in the table below:

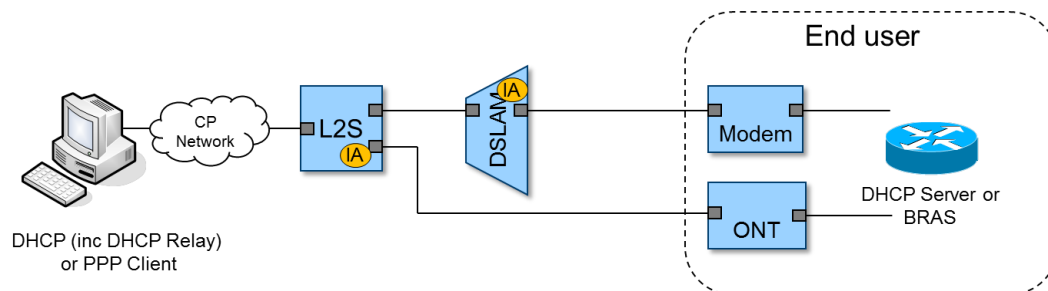
Scenario	Expected Destination MAC address towards server	UDP Port numbers towards ONT	UDP Port numbers from ONT
DHCPv4	Broadcast	Dst: 67, Src: 68	Dst: 68, Src: 67
DHCPv6	Multicast	Dst: 546, Src: 547	Dst: 547, Src: 546
DHCPv4 L2 Relay	Broadcast	Dst: 67, Src: 68	Dst: 68, Src: 67
DHCPv4 L3 Relay	Unicast	Dst: 67, Src: 67	Dst: 67, Src: 67
DHCPv6 L2 Relay	Multicast	Dst: 546, Src: 547	Dst: 547, Src: 546
DHCPv6 L3 Relay	Unicast	Dst:547, Src: 547	Dst:547, Src: 547

**Table 2 : UDP port numbers for DHCP**

The use of other UDP port numbers may result in the DHCP packets being silently discarded by the Openreach network.

### 2.1.8.2 Inverted DHCP/PPPoE

The scenarios shown in the diagram below, where a DHCP Server or BRAS is located at an End Users premises served by FTTC or FTTP are not currently supported by the GEA Data service. This may result in dropped session initiation frames and will result in the below scenarios not being able to successfully operate.



**Figure 2 – Inverted DHCP/PPPoE**

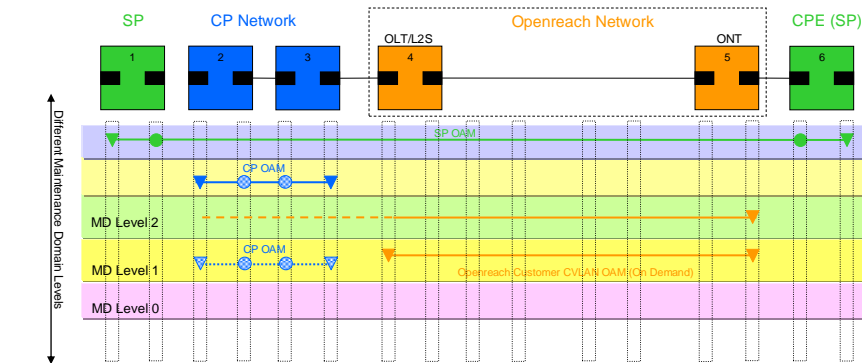
### 2.1.9 Ethernet OAM

CPs can send Ethernet OAM information end-to-end across their GEA-FTTP connection at MD Levels 3 and above. For FVA connections only Level 2 (up to the ONT) is available for CPs.

CPs can also test their GEA-FTTP circuits end-to-end between the CP's equipment and the ONT. To do this CPs must use Multicast Loopback Messages (MC LBMs) as described in ITU-T Y.1731<sup>[8]</sup> at MD Level 2 with a destination MAC address of 01-80-C2-00-00-32. The MC LBMs must be transmitted at a maximum rate of 1fps.

Working overview of OAM as follows:

## OAM Interworking Overview

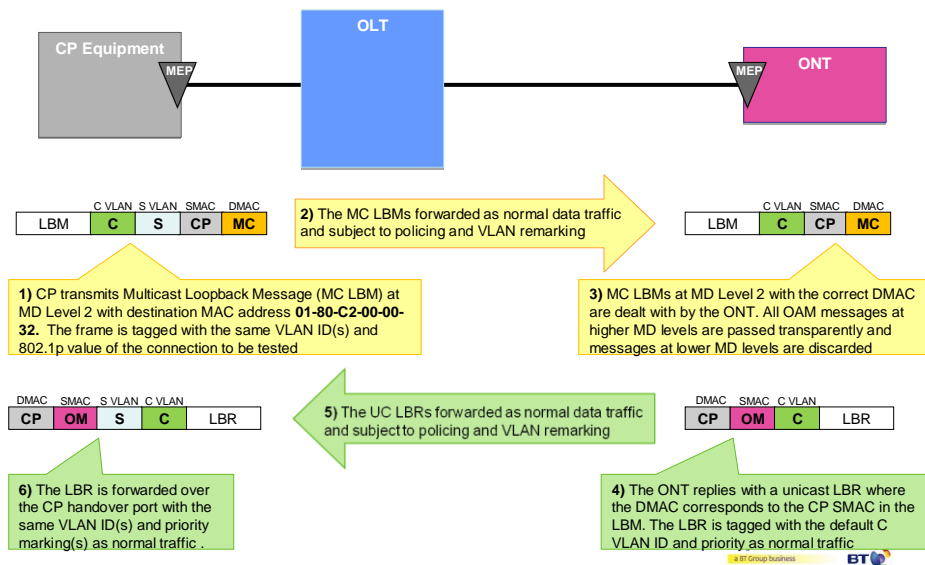


- Openreach to use Level 1 for OAM between L2S and ONT
  - Re-actively on Customer CVLAN
- Openreach to provide a MEP on Level 2 for CP use
- Note : Transparent to OAM at MD Level 3 and above



## CP OAM Interworking Overview

**Legend:**  
 DMAC: Destination MAC address  
 LBM: Loopback Message  
 LBR: Loopback Reply  
 MC: Multicast  
 MEP: Maintenance Endpoint  
 SMAC: Source MAC address  
 UC: Unicast



### 2.1.10 Transparency

GEA-FTTP will be transparent to all valid Ethernet frames except:

- 802.3x PAUSE<sup>[6]</sup> - Local link flow control protocol
- Slow Protocols - Set of protocols that includes LACP and 802.3ah OAM
- 802.1X Authentication<sup>[7]</sup> - Authentication protocol
- Physical layer signalling such as auto-negotiation

Protocol transparency is not applicable to FVA.

### **2.1.11 Frame duplication**

CP equipment must observe Ethernet bridging rules. In particular frames sent from Openreach to the CP must not be reflected back to the Openreach network with source MAC unaltered. This applies both downstream at the Cablelink port and upstream at the modem or DSL port.

### **2.1.12 Multicast IP Group Addresses**

Since the multicast MAC address is derived from the IP group address, CPs shall ensure that IP group addresses are unique in the lower 23 bits.

## **2.2 FVA Specifics**

### **2.2.1 Digit Maps**

Digit maps control the transmission of dialled digit information. The string defines the criteria to be met as digits are collected before an outgoing request. Openreach will have a set of digit maps which will be pre-loaded and CPs should only need to supply the appropriate digit map name as part of an FVA order. If the CP wishes to use their own digit map, they will need to be registered with Openreach.

#### **2.2.1.1 Digit Map upload**

CP can upload their own digit maps, for private numbering schemes etc., Digit maps cannot be updated or modified. They can only be added or deleted.

When uploading a digit map, the Inter Digit Timer (Long Digit Timer) and the Short Digit Timer (S) should also be provided. See <sup>[2]</sup> and ND1646 <sup>[3]</sup>.

#### **2.2.1.2 Number of digit map supported**

Each ATA port can support a single digit map, the maximum number of digit maps per ONT is limited by the number of ATA ports it supports

### **2.2.2 Variable parameters**

These are configurable parameters to be provided by the CP to the Openreach as part of the FVA order. See ND1646 <sup>[3]</sup>.

IP addresses specified as variable parameters must confirm to the IPv4 standard. IPv6 is not currently supported.

### **2.2.3 Analogue Telephone Adaptor (ATA)**

The FVA Service will support a single CP per ONT and a single voice service per ATA port.

For ATA capabilities and functionalities please refer to SIN 351<sup>[2]</sup>.

### **2.2.4 Synchronisation**

For FVA the head end 'OLT' will be synchronised to a BT synchronisation platform to support carrier grade voice services delivered via an ATA embedded within the ONT. The OLT will distribute synchronisation to all connected ATAs. Each OLT has internal clock with 4.6ppm accuracy. On BT clock source failure, ONT/ATA will lose its clock and revert to OLT free running clock.

## 2.3 ONT Technical Specification

The ONT provided is dependent on the active electronics deployed in the serving exchange.

### 2.3.1 1+0 ONT



**Figure 3 – 1+0 ONT**

The ONT has:

- One 10/100/1000 Base-T Ethernet data interfaces
- Auto-negotiation and MDI/MDIX auto-sensing.
- Data transfer at wire-speed for all packet sizes.
- Built-in layer-2 switch

The technical specification of the interface connections provided by the ONT device are described in SIN 360 – Ethernet Customer Interfaces, Interface Characteristics <sup>[1]</sup>.

#### 2.3.1.1 LED Descriptions

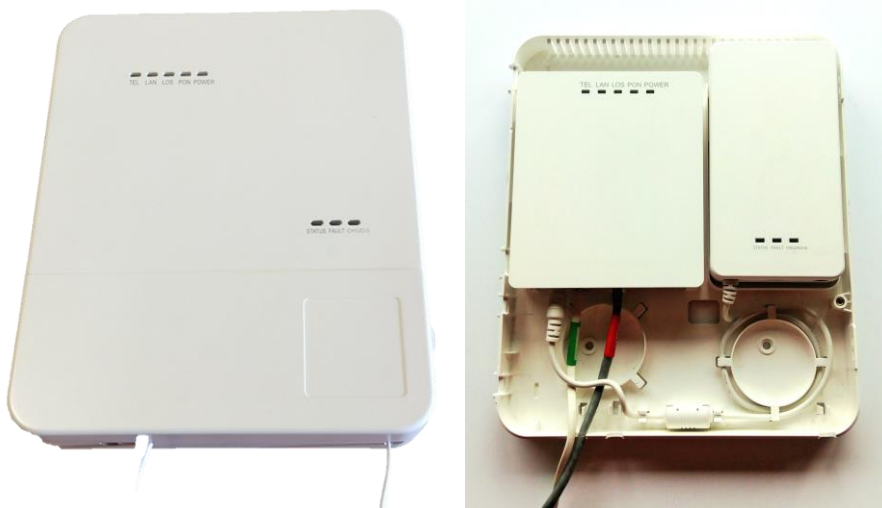
ONT- LED Name	Colour	Second LED	Indicates
POWER	Green/Solid		ONT operating from AC power.
	OFF		No power.
PON & LOS LEDs	OFF	OFF	Emergency-Stop state or the ONT is disabled
	OFF	Red/Solid	Optical signal abnormal (LOS/LOF). No optical power detected
	Green/Flash	OFF	ONT in ranging and synchronization process.

	<b>Green/Solid</b>	<b>OFF</b>	<b>ONT sync'd with OLT.</b>
<b>LAN PORT</b>	<b>Green/Solid</b>		<b>Ethernet link at the ONT is up.</b>
	<b>Green/Flash</b>		<b>Ethernet links at the ONT is up and there is activity of receiving and transmitting data.</b>
	<b>OFF</b>		<b>Ethernet link is not up at the ONT or the ONT is not ready for running Ethernet service.</b>

**Table 3: LED Descriptions 1+0**

### 2.3.2 1+1 ONT

In some deployments this ONT will be supplied within an external enclosure. Older deployments will have the external enclosure also containing a battery backup unit.



**Figure 4 1+1 ONT enclosure**

The ONT has:

- One 10/100/1000 Base-T Ethernet data interfaces
- Auto-negotiation and MDI/MDIX auto-sensing.
- Data transfer at wire-speed for all packet sizes.
- Built-in layer-2 switch
- One voice port, BT601A connector for FVA services

The technical specification of the interface connections provided by the ONT device for Ethernet physical interfaces are described in SIN 360 – Ethernet Customer Interfaces, Interface Characteristics.

#### 2.3.2.1 LED Descriptions



ONT-LED Name	Colour	Indicates
TEL	OFF	The voice service is not enabled
	Green Flashing	The voice service is registered and the voice service is active
	Green	The connection to the voice server is setup.
LAN	OFF	Ethernet link down or ONT not ready for Ethernet service
	Green flashing	Ethernet link up and data activity (transmit and receive)
	Green	The Ethernet link is up
LOS/PON	See table 5	
POWER	OFF	The power supply is off
	Green	The AC power is operating

**Table 4: LED Descriptions 1+1 ONT (1)**

Status No.	Status		Description
	PON	LOS	
1	Off	Steady on	The GPON terminal is prohibited by the upper-layer device, contact the service provider for help.
2	Blinks twice a second	Off	The GPON terminal attempts to set up a connection with its upper-layer device.
3	Steady on	Off	A connection is set up between the GPON terminal and its upper-layer device.
4	Off	Blinks once two seconds	The GPON terminal is not connected to optical fibers or does not receive optical signals.
5	Blinks twice a second	Blinks once two seconds	The receive optical power of the GPON terminal is lower than the receiver sensitivity.
6	Blinks once two seconds	Blinks once two seconds	The GPON terminal is faulty.

**Table 5: LED Descriptions 1+1 ONT (2)**

Indicator	Status	Description
STATUS	Steady green	The mains supply is working (using the power adapter).
	Off	The mains supply is cut.
FAULT	Steady red	The batteries need to be replaced or are not installed.
	Off	<ul style="list-style-type: none"> <li>The batteries have low capacities.</li> <li>No alarm is generated.</li> </ul>
CHARGING	Steady orange	The batteries are being charged.
	Off	<ul style="list-style-type: none"> <li>The batteries are being discharged.</li> <li>The batteries are fully charged or fully discharged.</li> </ul>

## Table 6: BBU LED Descriptions – if deployed

### 2.3.3 4+2 ONT



Figure 5 – Type 1 ONT showing ports and LEDs



Figure 6– Type 2 ONT showing ports and LEDs

The ONT has:

- Four 10/100/1000 Base-T Ethernet data interfaces
- Auto-negotiation and MDI/MDIX auto-sensing.
- Data transfer at wire-speed for all packet sizes.
- Built-in layer-2 switch
- Two voice ports, BT601A connectors for FVA services

The technical specification of the interface connections provided by the ONT device for Ethernet physical interfaces are described in SIN 360 – Ethernet Customer Interfaces, Interface Characteristics.

#### 2.3.3.1 LED Descriptions

Type 1

ONT- LED Name	Colour	Second LED	Indicates
<b>POWER</b>	Green/Solid		ONT operating from AC power.
	Red/Solid		RED/Solid will indicate ONT is on Battery
<b>PON &amp; LOS LEDs</b>	OFF	OFF	Emergency-Stop state or the ONT is disabled
	OFF	Red/Solid	Optical signal abnormal (LOS/LOF). No optical power detected
	Green/Flash	OFF	ONT in ranging and synchronisation process.
	Green/Solid	OFF	ONT synchronised with OLT.
<b>4 LANs (PORT1-PORT4)</b>	Green/Solid		Ethernet link at the ONT is up.
	Green/Flash		Ethernet links at the ONT is up and there is activity of receiving and transmitting data.
	OFF		Ethernet link is not up at the ONT or the ONT is not ready for running Ethernet service.
<b>2 POTs(TEL1-TEL2)</b>	OFF		No voice credentials in the ATA.
	Green/Slow Flash		POTS port has register with Call server.
	Green/Solid		Registration to the voice platform.(Synchronised)
	Green/ Fast Flash		Registration successful and that voice data is being transmitted

**Table 7: LED Descriptions 4+2 Type 1**

Refer to Table 6 for Battery Backup LED descriptions if applicable.

Type 2

ONT-LED Name	Colour	Indicates
<b>POWER</b>	Green/Solid	ONT operating from AC power.
	Red/Solid	RED/Solid will indicate ONT is on Battery
<b>4 LANs (PORT1-PORT4)</b>	Green/Solid	Ethernet link at the ONT is up.
	Green/Flash	Ethernet links at the ONT is up and there is activity of receiving and transmitting data.
	OFF	Ethernet link is not up at the ONT or the ONT is not ready for running Ethernet service.
<b>OPTICAL</b>	OFF	Emergency-Stop state or the ONT is disabled
	Red/Solid	Optical signal abnormal (LOS/LOF).
	Green/Flash	ONT in ranging and synchronisation process.
	Green/Solid	ONT working normally.

**Table 8: LED Descriptions 4+2 Type 2**

### 2.3.4 ONT Size

The dimensions (H × W × D) for the ONTs are:

- 1+0 ONT      89 mm x 82 mm x 27 mm
- 1+1 Enclosure 134 mm x 115 mm x 25 mm
- 4+2 Type 1    195 mm × 155 mm × 34 mm.
- 4+2 Type 2    180mm x 124mm x 33mm

### 2.3.5 Power Supply

The power supply to the ONT will be a single, low voltage power interface including the capability for battery backup when available. The PSU will be suitable for use with standard domestic UK supplied 230V (AC). The power consumption is <12 W.

- ONT Power supply 11 – 14 V DC, 1 A
- Power adapter input 100 – 240 V AC, 50 – 60 Hz  
Power consumption Minimum: 6 W, Maximum: 12 W, Average: 7.5 W

### 2.3.6 Battery Backup Unit

Where battery backup units still exist, the battery backup unit uses 4 2000 mA-H-NiMH BYD rechargeable AA batteries 1.2V.

### 2.3.7 Electrical Safety

The ONT is compliant with BS EN 60950-1 “Information technology equipment. Safety. General requirements”: <http://www.bsigroup.com>.

### 2.3.8 ONT Housing

The ONT will be fixed to a wall within 1m of a fixed power socket.

### 2.3.9 Upstream priority marking

CPs can (optionally) prioritise upstream traffic from the CPE to the ONT by marking their traffic with IEEE 802.1p markings in a VLAN. The GEA-FTTP service supports four upstream queues that are served in strict priority order

Queue	PCP markings
3	6 & 7; Highest priority, served first
2	4 & 5; served after queue 3 but before queue 1
1	2 & 3; served after queue 2 but before queue 0
0	0 & 1; Lowest priority, served last

Within each queue PCP markings are treated equally, e.g. 802.1p priorities 0 & 1 are treated equally within queue 0 with indiscriminate discard within the queue in the event of upstream congestion. Openreach therefore recommend that CPs employ a PCP priority scheme which maps services of different priorities into separate queues to maintain service differentiation. The Openreach GEA-FTTP service implementation is in accordance with IEEE 802.1Q-2018 <sup>[9]</sup> for devices with four queues (Table 8-5).

Handling of the VLAN tag varies.

- VLAN ID = 0: VLAN tag is stripped out by the ONT (802.1p markings still used for prioritisation)
- VLAN ID ≠ 0: VLAN tag will be forwarded to the CP (where this tag is forwarded, the CP must be able to handle this additional tag)

### 2.3.9.1 FVA Upstream Priority Marking

Both the FVA media and signalling traffic will be incorporated into the same C VLAN by the ATA, and the C VLAN will be marked with 802.1p priority seven (7). The voice media and signalling frames will therefore be scheduled at the same priority through the Openreach FTTP network. The ATA will however differentiate signalling and media via Differentiated Services Code Point (DSCP) values as per ND1646<sup>[3]</sup>. These are detailed table 9 below. The DSCP markings are not used in the Openreach FTTP network for any scheduling decisions but can be used by the CP in their own network.

Traffic Type	Class	DSCP Marking
Media	EF	101 110 (46)
Signalling	AF31	011 010 (26)

**Table 9 : DSCP mappings for FVA**

### 2.3.10 Upstream shaping

- The CP is expected to shape the upstream traffic to match the chosen upstream rate – see section 1.2.

In addition, the CP should consider the impact of upstream capacity on its GEA Cablelink.

- Openreach will shape traffic into the GEA Cablelink. This shaping will treat all GEA-FTTP Data traffic equally. Specifically, it will not make use of any markings applied by the CPE.
- Openreach will not explicitly manage traffic at an individual inner tag or outer tag level.

### 3. References

[1]	SIN 360	Ethernet Customer Interfaces, Interface Characteristics.
[2]	SIN351	BT Public Switched Telephone Network (PSTN): Technical Characteristics Of The Single Analogue Line Interface
[3]	ND1646	ND1646 NGA-Telephony; Management V1.1.1 <a href="http://www.nicstandards.org.uk/publications/index.cfm">http://www.nicstandards.org.uk/publications/index.cfm</a>
[4]	IEEE 802.1ad	Virtual Bridged Local Area Networks, Amendment 4: Provider Bridges
[5]	802.1D-2004	IEEE Standard for Local and metropolitan area networks - Media Access Control (MAC) Bridges
[6]	802.3x	Flow Control
[7]	802.1x	Port Based Network Access Control
[8]	ITU-T Y.1731	OAM functions and mechanisms for Ethernet based networks
[9]	IEEE 802.1Q	Bridges and Bridged Networks

### 4. Abbreviations

ATA	Analogue Telephone Adaptor
BS EN	British Standards – English
CP	Communications Provider
CPE	Customer Premises Equipment
CVLAN	Customer VLAN
DHCP	Dynamic Host Configuration Protocol
DLM	Dynamic Line Management
DSCP	Differentiated Services Code Point
DSL	Digital Subscriber Line
DSLAM	Digital Subscriber Line Access Multiplexer
IEEE 802.1p	3 bit field within a VLAN used to indicate priority
EU	End User
FC/PC	Fixed Connection – fibre optic connector
FTTP	Fibre To The Premise

FVA	Fibre Voice Access
GEA	Generic Ethernet Access
ID	Identifier
IEEE	Institute of Electrical and Electronics Engineers
IFG	Inter-Frame Gap
L2S	Layer 2 Switch
LC	Local/Lucent Connector
MDI/MDIX	Medium Independent interface (cross-over) – Ethernet port connection
NGA	Next Generation Access
NTE	Network Termination Equipment
OAM	Operations, Administration, Maintenance
OLT	Optical Line Termination
ONT	Optical Network Termination device
PADI	PPPoE Active Discovery Initiation
PADO	PPPoE Active Discovery Offer
PADS	PPPoE Active Discovery Session- confirmation
PCP	Priority Code Point aka 802.1p priority
PSU	Power Supply Unit
PPM	Parts Per Million (Clock Accuracy)
PPPoE	Point to Point Protocol over Ethernet
QoS	Quality of Service
SC	Standard Connector
SIN	Suppliers' Information Note (BT Publication)
VLAN	Virtual Local Area Network
SVLAN	Service VLAN
1000 Base – LX	Single Mode

## 5. History

Issue	Date	Changes
1.0	October 2010	Date of first issue
1.1	January 2013	Updated to include FVA specific information and new GEA FTTP product rates

1.2	February 2013	Updated to add details of Inverted DHCP/PPPoE processing - Section 2.1.7.1
1.3	March 2015	Change SINet site references from <a href="http://www.sinet.bt.com">http://www.sinet.bt.com</a> to <a href="http://www.btplc.com/sinet/">http://www.btplc.com/sinet/</a>
1.4	December 2016	Added new GEA-FTTP product rates and 10G cablelink details
1.5	November 2017	Added new GEA-FTTP product rates, 1+1 ONT details and updated DHCP and policing information
1.6	December 2019	Updated ONT details, including new 1+0 ONT.
1.7	April 2020	Change SINet site references from <a href="http://www.btplc.com/sinet/">http://www.btplc.com/sinet/</a> to <a href="https://www.openreach.co.uk/orpg/home/helpandsupport/sins/sins.do">https://www.openreach.co.uk/orpg/home/helpandsupport/sins/sins.do</a>

<END>