

Local Loop Unbundling (LLU) for Shared Metallic Path Facility (SMPF)

SMPF enables you to provide broadband services over the copper network. It enables you to share a line with another Communications Provider providing a voice service to the same customer.



SMPF allows you to focus on providing broadband services.

Product attributes

SMPF provides a two-wire metallic transmission path between the Network Terminating Equipment at a customer's premises and a main distribution or jumper frame at the exchange.

Other LLU services include floor space, power, cooling and connectivity (internal / external tie cabling).

Service Maintenance Levels

You can choose between Service Maintenance Levels 2, Business 2 Plus, 3 and 4 for SMPF; level 2 is the default level. You can also amend the maintenance level (subject to published lead time).

Dialogue services

These services complement the Equivalence Management Platform ordering system, by giving ways to find out what's possible (and what's not) before you submit an order. This should help to reduce order rejections.

Value adds

Directory Number change reports: You can ask for a daily report showing your own Service ID and the new DN for DN changes associated with your SMPF circuits.

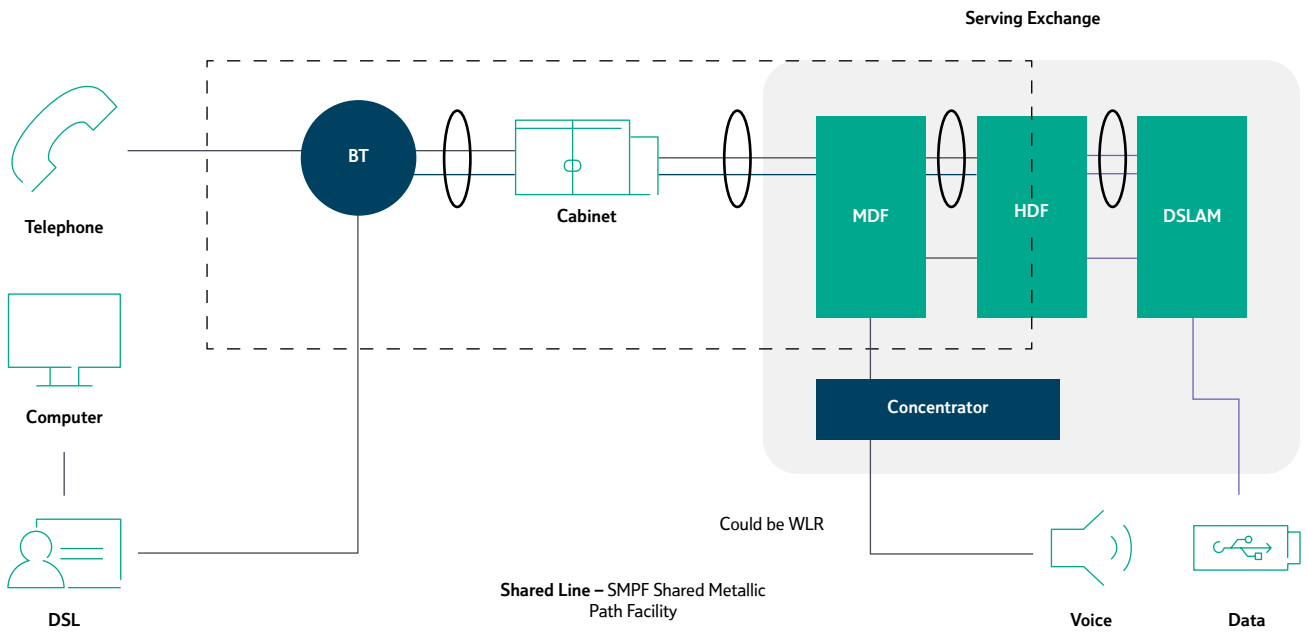
Tie pair utilisation reports: We can supply you with a report of your tie cable and tie pair information.

Flexible frames scheduling: You can register for flexible frames scheduling, which allows frames activities to be completed sooner.

Managed cease with the unsolicited cease process: We ensure that an SMPF cease takes place at the same time as the associated narrowband stop or cease and don't require a notification period.

Provision during in-flight narrowband orders: We deal with an SMPF order even if an open narrowband order on the same line is in-flight.

How it works



For more information on LLU for SMPF visit www.openreach.co.uk or contact your business development manager.

www.openreach.co.uk

The telecommunications services described in this publication are subject to availability and may be modified from time to time. Services and equipment are provided subject to British Telecommunications plc's respective standard conditions of contract. Nothing in this publication forms any part of any contract. Openreach and the Openreach logo are trademarks of British Telecommunications plc. © British Telecommunications plc 2020. Openreach Limited, Registered office: Kelvin House, 123 Judd Street, London WC1H 9NP. Registered in England and Wales no. 10690039. Produced by Openreach. Designed by Westhill.co.uk

PHME 83404