

FTTP on Demand

Fibre to the Premises (FTTP) on Demand will enable you to offer broadband speeds up to 1000/220 Mbps to customers served by a GEA-FTTC enabled cabinet.



GEA-FTTP speeds up to 1000/220 Mbps available in GEA-FTTC areas.

The difference

Currently within a GEA-FTTC enabled exchange area, CPs can offer speeds of up to 1000/220 Mbps.

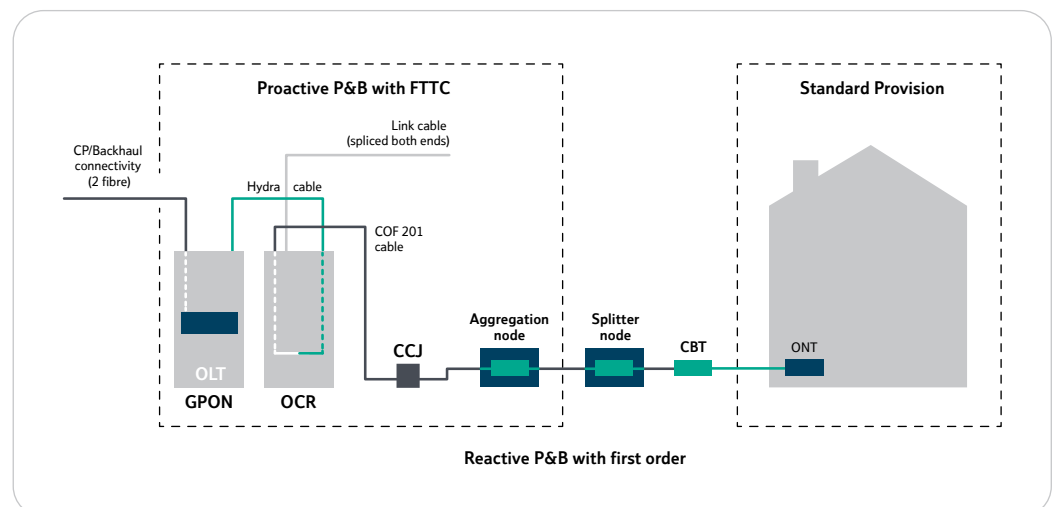
FTTP on Demand allows CPs to order the GEA-FTTP product for customers within a GEA-FTTC exchange area and served by a GEA-FTTC cabinet.

In response to a FTTP on Demand order, we will survey, plan and build the GEA-FTTP network to the individual residential or business premises.

How the FTTP on Demand will work

- The product is available to customers served by a GEA-FTTC enabled cabinet within the FTTP on Demand enabled exchange areas
- Orders are expected to take at least 60 working days to complete

The diagram below illustrates the network design and how FTTP on Demand works.



Note: The network build for GEA-FTTC extends to the aggregation node. As your FTTP on Demand order requires a bespoke network build, we'll survey, plan and build the network from the aggregation node to your customer's premises and complete the provision of the order.

Your customer's experience

When it comes to equipment and product specification, the FTTP on Demand service will be identical to that of the standard GEA-FTTP product. Apart from the proactive plan and build, your customer will experience no difference in service to other GEA-FTTP customers and will be able to benefit from download speeds of up to 1000 Mbps and upload speeds of up to 220 Mbps.

What next?

For more information please see the Openreach price list: openreach.co.uk/fodpricing

For more information on FTTP on Demand visit openreach.co.uk or contact your business development manager.

openreach.co.uk

The telecommunications services described in this publication are subject to availability and may be modified from time to time. Services and equipment are provided subject to British Telecommunications plc's respective standard conditions of contract. Nothing in this publication forms any part of any contract. Openreach and the Openreach logo are trademarks of British Telecommunications plc. © British Telecommunications plc 2021. Openreach Limited, Registered office: Kelvin House, 123 Judd Street, London WC1H 9NP. Registered in England and Wales no. 10690039. Produced by Openreach. Designed by Westhill.co.uk

PHME 87187